



The curved, retro contour of this WC is a perfect balance of high-end design and aesthetically pleasing form. This exclusive WC heralds the fusion of functionality and beauty in an essential piece. A rimless back to wall close-coupled WC with dual outlet. Compatible with dual flush 4.5/3 litre WC cistern with bottom inlet Ref. A3410C0..0 and an exclusive Supralit® soft-closing seat and cover with concealed hinges Ref. A801C32..B (sold as separate) that ensures maximum hygiene thanks to the surface's reduced porosity and antibacterial treatment, which offers greater resistance to chemical agents and ultraviolet light to maintain the unit in perfect condition over time.

It is available in three different finishes to complement any bathroom space: Greige, a balance between grey and beige, is a leitmotif in Giorgio Armani's creations and is considered by many to be the ideal shade in interior design. Off-White adds a twist to a classic shade and is the height of elegance in any space.

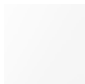
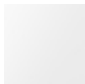

Glossy White is among the most workable finishes and adds a crisp, fresh look to any bathroom space.

The Armani/Roca finishes are hand-crafted, and any possible variations in tone and texture increase the bespoke feel and unique personality of each piece.

Fixing kit: Included
 Flushing system: Washdown
 Installation type: Floorstanding
 Outlet type: Horizontal
 Shape: Round
 Weight (Kg): 45

Colours and Finishes

How to obtain the reference number
 Replace the “..” with the desired finish code from the list below

	00 Glossy white
	91 Off-white
	R3 Greige

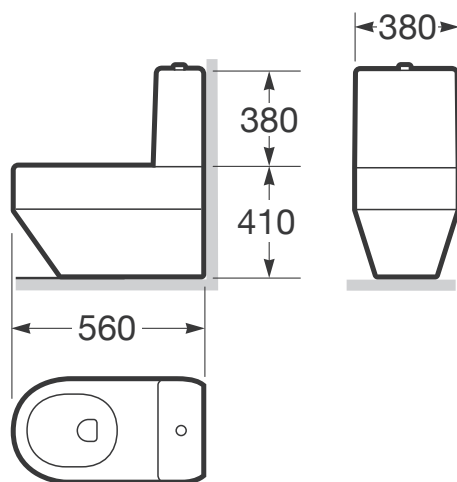
Dimensions

Length: 560 mm.
 Width: 380 mm.
 Height: 410 mm.

Compatible with

A3410C0..0 3/4.5 L dual-flush cistern
 A801C32..B Soft-closing Supralit® lacquered seat and cover for wall-hung WC
 A8901900.. Electronic flush operating plate

Technical drawings



A3420C7..0

WC FS CC 710 BTW DUAL RIMLESS / 790x380



